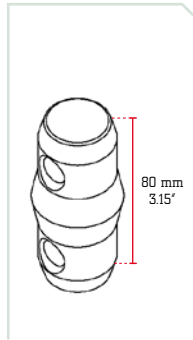
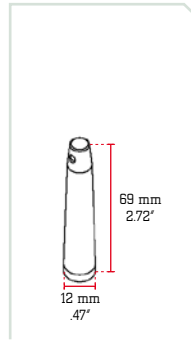


M290



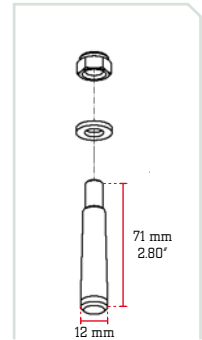
➤ **CC B** CONICAL CONNECTOR B

Series	
M290	
M390	



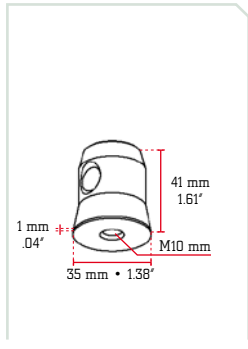
➤ **PB** PIN B

Series	
M290	
M390	



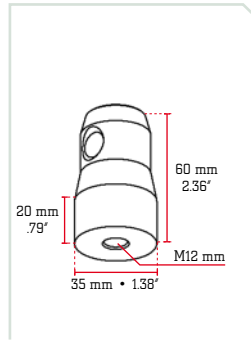
➤ **PB M8** PIN B WITH THREAD M8

Series	supplied with washer and nylock nut
M290	
M390	



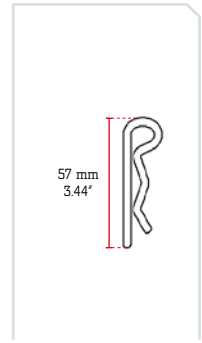
➤ **CC B M10** HALF CONNECTOR B WITH THREAD M10

Series	screw fixing not included, please order separately if required
M290	
M390	



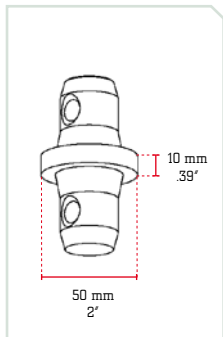
➤ **CC B M12** HALF CONNECTOR B WITH THREAD M12

Series	screw fixing not included, please order separately if required
M290	
M390	



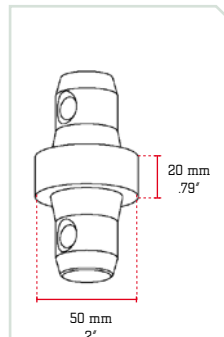
➤ **SRP B** SAFETY R CLIP B

Series	
M290	
M390	



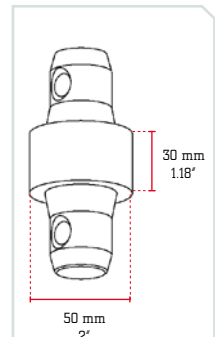
➤ **CC BD10** SPACER B10 mm • .39"

Series	
M290	
M390	



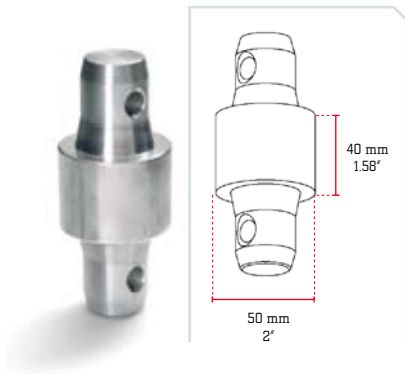
➤ **CC BD20** SPACER B20 mm • .79"

Series	
M290	
M390	



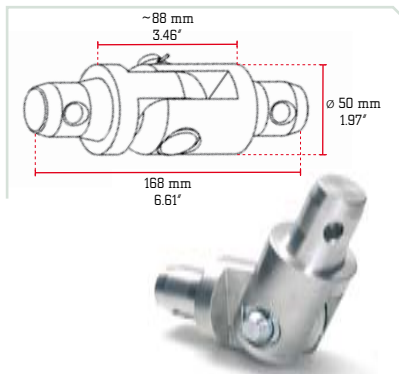
➤ **CC BD30** SPACER B30 mm • 1.18"

Series	
M290	
M390	



➤ **CC BD40** SPACER B40 mm • 1.58"

Series	
M290	
M390	



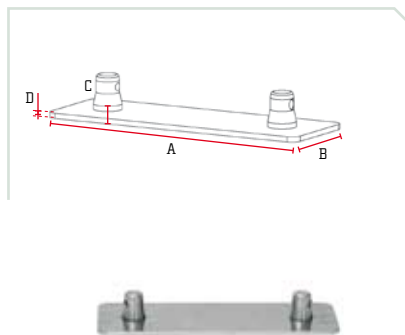
➤ **HINGE PART**

Series	4 off hinges supplied per set
M290	
M390	



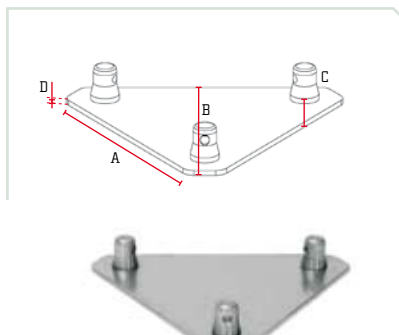
➤ **LIFTING EYE NUT M12**

Series	SWL 340 kg • 749.56 lbs
M290	Fixing bolt must be ordered separately if required
M520	required



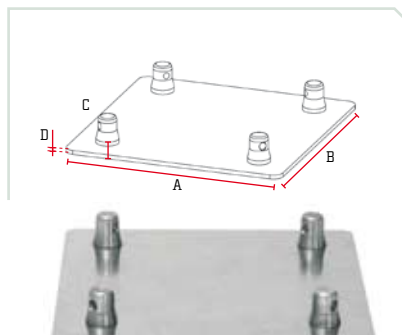
➤ **BBPDC BWPDC** BASE/WALL PLATE DUO M290 WITH HALF CONNECTORS

Series	A	B	C	D	
M290	350	110	10	5	mm
	13.78	4.33	0.39	.20	inches



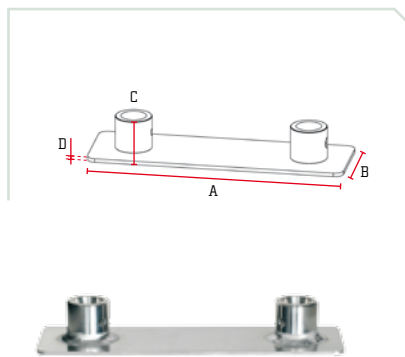
➤ **BBPTC BWPTC** BASE/WALL PLATE TRIO M290 WITH HALF CONNECTORS

Series	A	B	C	D	
M290	346	303	10	5	mm
	13.62	11.93	0.39	.20	inches



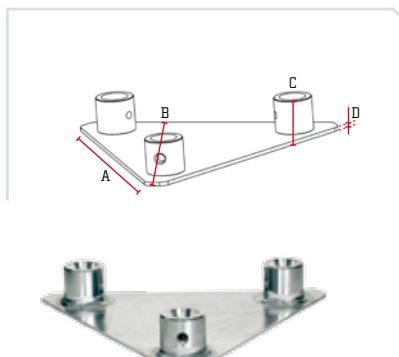
➤ **BBPQC BWPQC** BASE/WALL PLATE QUATRO M290 WITH HALF CONNECTORS

Series	A	B	C	D	
M290	350	350	10	5	mm
	13.78	13.78	0.39	.20	inches



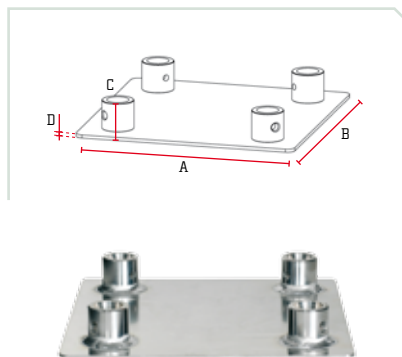
➤ **BBPD BWPD** BASE/WALL PLATE DUO M290 WITH FEMALE RECEIVERS

Series	A	B	C	D	
M290	350	110	50	5	mm
	13.78	4.33	1.97	.20	inches



➤ **BBPT BWPT** BASE/WALL PLATE TRIO M290 WITH FEMALE RECEIVERS

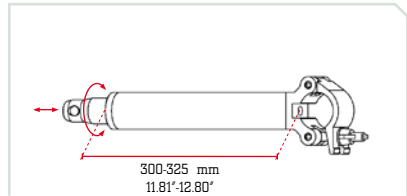
Series	A	B	C	D	
M290	348	303	50	5	mm
	13.70	11.93	1.97	.20	inches



➤ **BBPQ BWPQ** BASE/WALL PLATE QUATRO M290 WITH FEMALE RECEIVERS

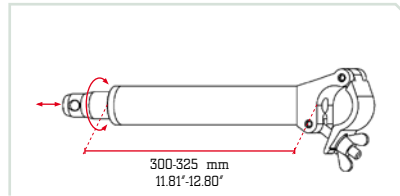
Series	A	B	C	D	
M290	350	350	50	5	mm
	13.78	13.78	1.97	.20	inches

M290



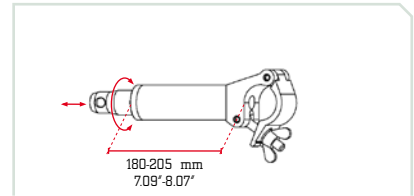
➤ **CON 03** HAND EXTENSION LONG
FOR TUBE 48-51 mm • 1.89"-2.01"

Series	
M290	
M390	



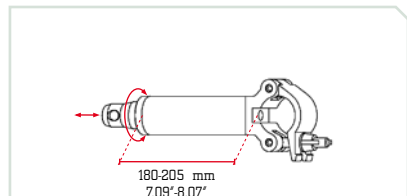
➤ **CON 01/A** HOOK EXTENSION LONG
FOR TUBE 48-51 mm • 1.89"-2.01"

Series	
M290	
M390	



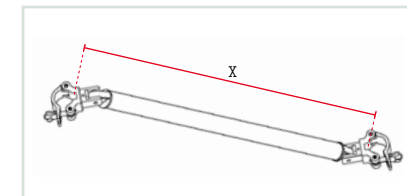
➤ **CON 02/A** HOOK EXTENSION SHORT
FOR TUBE 48-51 mm • 1.89"-2.01"

Series	
M290	
M390	



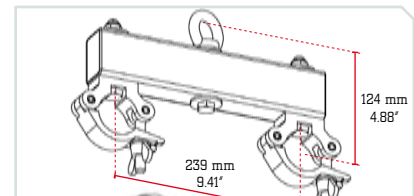
➤ **CON 04** HAND EXTENSION SHORT
FOR TUBE 48-51 mm • 1.89"-2.01"

Series	
M290	
M390	



➤ **CB D50** CORNER BRACE
VARIOUS LENGTHS

Series	
Various	



➤ **CS3B** CEILING SUPPORT FOR M290
SYSTEM

Series	
M290	SWL 500 kg • 1102.3 lbs



➤ **CON25** FEMALE FITTING FOR MULTICUBE
QCB1, QCK1

Series	
M290	supplied with washer and M12x35 bolt
M390	

M290



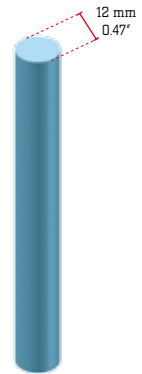
CL 50 CLIP 50

Series	<ul style="list-style-type: none">• colour clear or black• does not work on 48 x 3 mm tube
M290B	
M390K	



PC 50 PLASTIC CLAMP 50

Series	<ul style="list-style-type: none">• colour clear or black• designed for fixing panels or use other conical accessories• does not work on 48 x 3 mm tube
M290B	
M390K	



PP 01 PLASTIC PROFILE TUBE

Series	<ul style="list-style-type: none">• colour clear
Various	